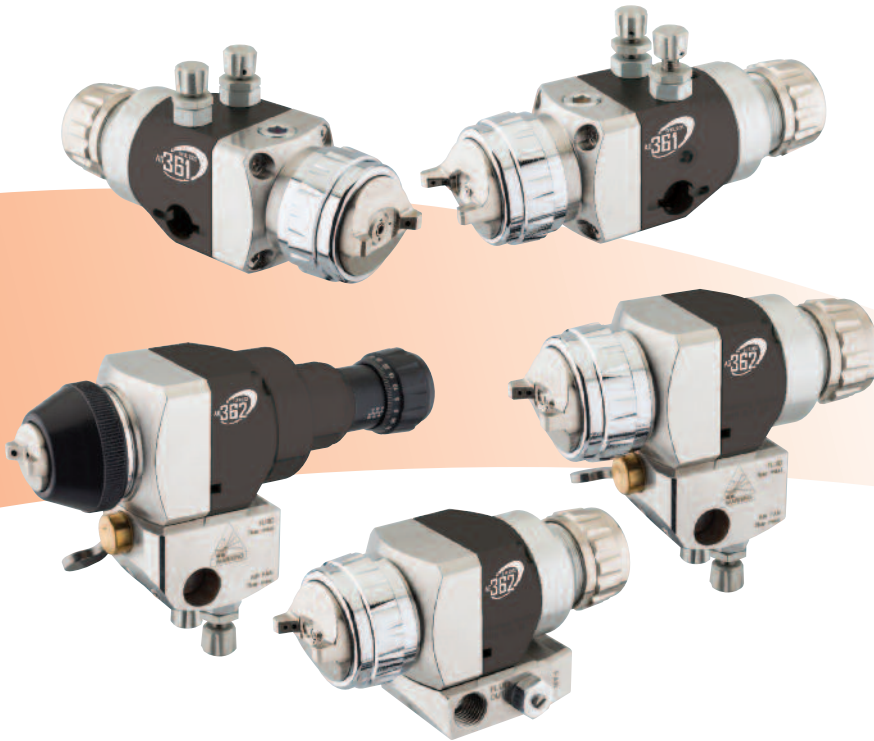


DEVILBISS AG-360 SERIES

Low Pressure Air Atomisation Automatic Spray Gun Range

Professional spray equipment for universal superior performance



Using the acknowledged market leading low Pressure Air Atomisation technology from Devilbiss, the AG-360 series has been developed to provide a blend of finish quality, engineering robustness and superior Transfer Efficiency.

The AG-360 Auto gun Series from Devilbiss is available in various gun formats to provide an all-encompassing and universal automatic finishing solution for all applications.

Designed to function in the tough working environment of the modern finishing industry, these guns give you maximum productivity with minimum downtime.

AG-361 variants are designed to be cost effective guns with maximum control and serviceability. Available in two models – the **AG-361** for general industrial finishing and the **AG-361E** for the ceramics industry.

The **AG-362** guns are more versatile designs – the **AG-362** for general industry and the **AG-362P** particularly developed for the cosmetics and glass industries.

The **AG-362** guns are available with two different design manifolds to allow you to choose the layout of air/fluid connection and method of gun attachment. The **AG-362L** Lever operated version for fastest removal and the **AG-362S** Screw attached version with multiple machine mounting options and smaller size.

A comprehensive range of CONVentional, HVLP and Trans Tech (High Efficiency) Air Caps provide a choice of Environmental compliance, Transfer Efficiency, Atomisation power and application requirements.

Simple construction and easy maintenance for minimal down-time

Stainless Steel Fluid Passageways
for Water based & Solvent based coating applications

Quick detachable mounting manifolds provide fast and easy maintenance

Compact size and weight for easy positioning and precise alignment

Multiple options and formats to evolve for all application requirements

Independent Fan, Atomising and Trigger Air –
vital for Robotic and fully automatic machine applications



EQUIPOS INTERNACIONALES LTDA.

www.equinter.co

Av. Carrera 50 N° 4C - 34, Bogotá, Colombia.
PBX: 601 744 2739 Móvil: 312 438 9725
ventas@equinter.co



Typical coating types and applications

- Solvent and Water Based Paints and Materials
- Wood sector Stains, Sealers and Topcoats
- Adhesives and Glues
- Ceramics, Enamel and Glaze
- Epoxy Primers and Polyurethane Top coats.
- Air drying, stoving and 2K coatings
- UV and radiation cured finishes

Typical Mounting

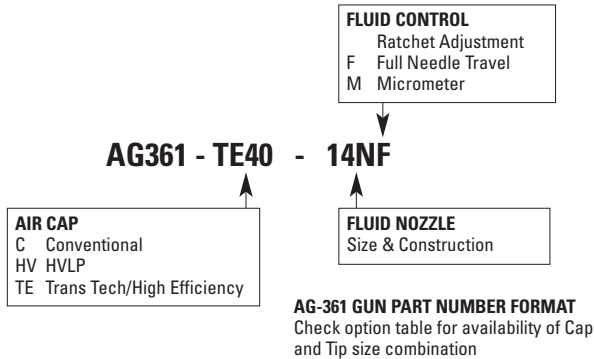
- Rotary & Carousel Machines
- Reciprocators & Transverse equipment
- Robot & complex gun movers
- Fixed spray stations

AG-361 Non-Manifold Gun

- Low Pressure Air Atomising Spray gun for fine finishing and General Industrial applications.
- AG-361 series shares common Air Caps and fluid tips with the market leading DeVilbiss PRO Lite hand gun. This means the AG-361 range offer consistent application parameters between Automatic and Hand spray stations in the same facility
- Modular, easy to maintain gun construction
- High Grade Stainless Steel gun head and fluid passageways for use with all coating types
- Air Caps available in HVLP, Trans Tech/High Efficiency and CONVENTIONAL Air Atomisation versions
- Total control of application parameters by means of independent Atomising and Spray Pattern air plus an 18 'click' per revolution fluid needle control knob.



Shown above
Part Number: AG361-TE40-085N



Evolve for your process with Accessories...

- Atomisation Type
- Fluid Needle & Nozzle size
- Fluid Needle & Nozzle construction
- Local ATOM & FAN air control **or** Remote control
- 18 click/rev needle control **or** full needle opening with remote fluid control **or** Micrometer fluid control
- 90° Air cap indexing **or** free rotation
- Dead-head fluid feed **or** Recirculating

Air Cap and Fluid Nozzle Options AG-361 Gun

Air Cap	Atomisation Type	0.85mm	1.0mm	1.2mm	1.4mm	1.6mm	1.8mm	2.0mm	2.2mm
C1	Conventional	S	S	S	S	S	S		
C2	Conventional	S	S	S	S	S	S		
C3	Conventional	S	S	S	S	S	S		

These Air Caps match with PROC-215-XX Fluid Nozzle where XX=orifice size

HV30	HVLP	S	SN	S	SN	S	SN	S	SN
TE10	Trans Tech (High Efficiency)	S	SN	S	SN	S	SN	S	SN
TE20	Trans Tech (High Efficiency)	S	SN	S	SN	S	SN	S	SN
TE30	Trans Tech (High Efficiency)	S	SN	S	SN	S	SN	S	SN
TE40	Trans Tech (High Efficiency)	S	SN	S	SN	S	SN	S	SN
TE40R	Trans Tech (High Efficiency)	S	SN	S	SN	S	SN	S	SN

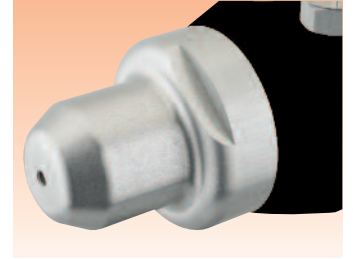
These Air Caps match with PRO-205-XX Fluid Nozzle where XX=orifice size

S= High Quality Stainless Steel Tips & Needles available in this type & size
N= Nitride Hardened Tips & Needles also available in this type & size



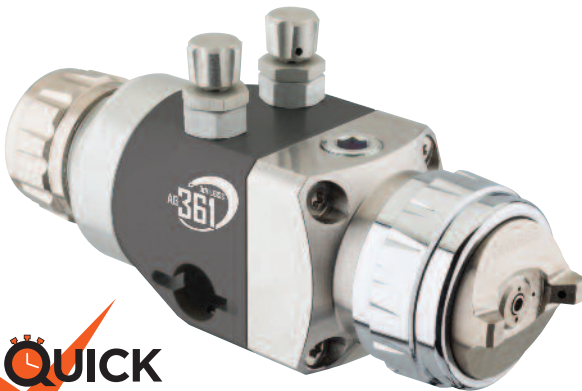
Evolve...

Standard 18 Click per revolution ratchet fluid needle adjusters for close-up local manual control are fitted to all AG- 360 series guns as standard. Optional SPA-167-K unrestricted full needle travel end cap for remote fluid control using a fluid regulator available as an Accessory.



AG-361E Ceramic & Enamel Industry Gun

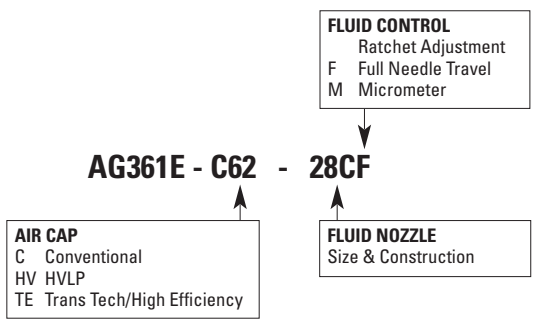
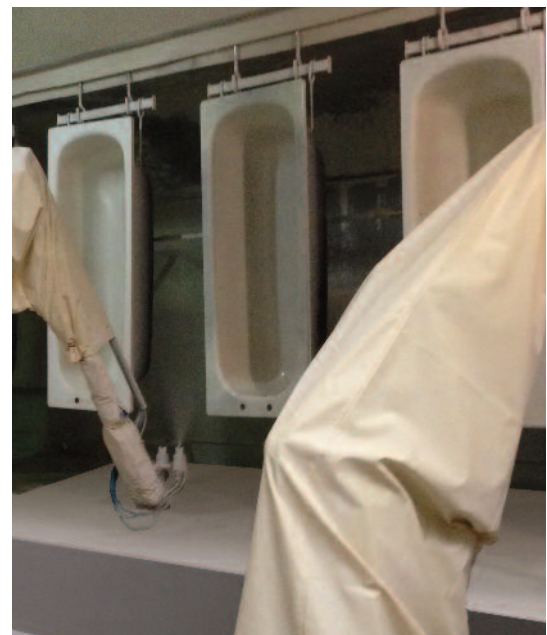
Gun shown AG361E-C62-28C



AG-361E Ceramic & Enamel Industry Version

A specialised version of the AG-361 for the application of Ceramic Glaze and Waterbased Enamels. The AG-361E has an extended range of specialist Air Caps and Fluid Nozzles capable of handling the high fluid flows and abrasive nature of the coating and environment.

- Completely new dedicated air cap range for the superior application of coatings onto Sanitaryware, Tableware and all ceramicware
- Stainless Steel, Hardened Stainless, Nitride Hardened and Tungsten Carbide version Fluid Nozzles & Needles for abrasive coatings
- Special O ring needle packing designed for waterbased abrasive particle coatings.



AG-361E GUN PART NUMBER FORMAT
Check option table for availability of Cap and Tip size combination

Air Cap and Fluid Nozzle Options AG-361E Gun

Air Cap	Atomisation Type	1.4mm	1.6mm	1.8mm	2.0mm	2.2mm	2.8mm
C1	Conventional	S	S	S			
C2	Conventional	S	S	S			
C3	Conventional	S	S	S			

These Air Caps match with PROC-215-XX Fluid Nozzle where XX=orifice size

HV30	HVLP	SN	S	SN	S	SN	
TE10	Trans Tech (High Efficiency)	SN	S	SN	S	SN	
TE20	Trans Tech (High Efficiency)	SN	S	SN	S	SN	
TE30	Trans Tech (High Efficiency)	SN	S	SN	S	SN	
TE40	Trans Tech (High Efficiency)	SN	S	SN	S	SN	
TE40R	Trans Tech (High Efficiency)	SN	S	SN	S	SN	

These Air Caps match with PRO-205-XX Fluid Nozzle where XX=orifice size

C62	Conventional						SNC
C64	Conventional					SNC	
C67	Conventional	SN		SNC			

These Air Caps match with PRO-250-XX Fluid Nozzle where XX=orifice size

S= High Quality Stainless Steel Tips & Needles available in this type & size
 N= Nitride Hardened Tips & Needles also available in this type & size
 C= Tungsten Carbide Tips and Needles also available in this type & size



Shown above
 Left AG362-TE40-085N-S
 Right AG362-C3-14-L



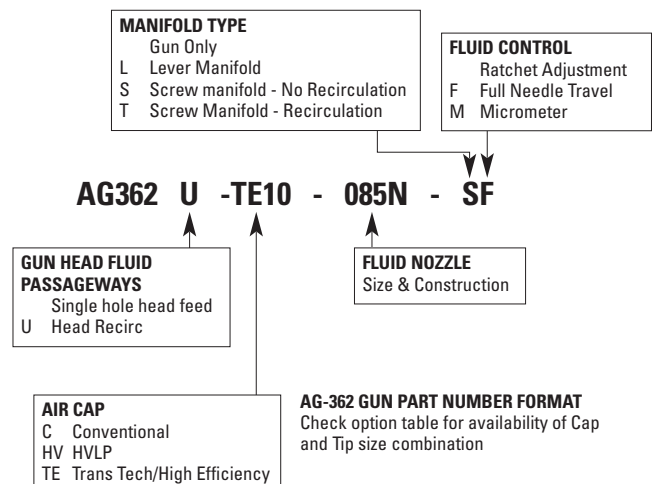
Typical AG362 application.

AG-362 Industrial Coating Gun

Built to the same superior specification as the AG-361 automatic guns but with the addition of a quick detachable Manifold base. This allows the gun to be quickly and easily removed for maintenance, cleaning or change-over without disturbing the positional settings. On re-attaching the fluid and air can be turned back on and the gun is instantly in the right location ready for operation.

Two manifold versions are available:

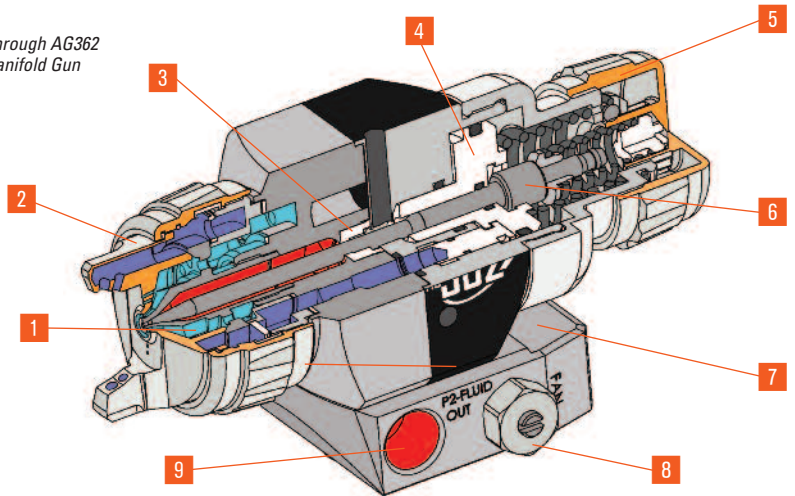
- A lever operated cam version allowing very fast removal and replacement of the gun during the production process
- A low profile screw attached version which also has the pressure capability for mounting the A-363 Air Assisted Airless Automatic gun. Just swap gun, change pump and spray!



AG-362 Removable Manifold Gun

- 1 Fluid Tip
- 2 Air Cap
- 3 Needle Packing
- 4 Main Piston
- 5 Fluid Control
- 6 Fluid Needle
- 7 Detachable Manifold
- 8 Air Valve (one of two fitted, low profile version shown)
- 9 Fluid Inlet

Section through AG362 Screw Manifold Gun



Evolve...

Screw air control valves for local control of Fan And Atomising air pressures are fitted to all AG-360 series guns as standard. SPA-22 adaptors for connection to external, remote, air regulation and control available as an accessory.



Air Cap and Fluid Nozzle Options AG-362 Spray Gun

Air Cap	Atomisation Type	0.85mm	1.0mm	1.2mm	1.4mm	1.6mm	1.8mm	2.0mm	2.2mm
C1	Conventional	S	S	S	S	S	S		
C2	Conventional	S	S	S	S	S	S		
C3	Conventional	S	S	S	S	S	S		

These Air Caps match with PROC-215-XX Fluid Nozzle where XX=orifice size

HV30	HVLP	S	SN	S	SN	S	SN	S	SN
TE10	Trans Tech (High Efficiency)	S	SN	S	SN	S	SN	S	SN
TE20	Trans Tech (High Efficiency)	S	SN	S	SN	S	SN	S	SN
TE30	Trans Tech (High Efficiency)	S	SN	S	SN	S	SN	S	SN
TE40	Trans Tech (High Efficiency)	S	SN	S	SN	S	SN	S	SN
TE40R	Trans Tech (High Efficiency)	S	SN	S	SN	S	SN	S	SN

These Air Caps match with PRO-205-XX Fluid Nozzle where XX=orifice size

S= High Grade Stainless Steel available in this type and size
 N= Nitride Hardened Tips & Needles available in this type & size

Evolve...

Air Cap 360° swivel fitted to all AG-361 guns as standard. 90° Index Air Baffle to interact with Air Cap design giving positive 90° indexing and positioning available as an accessory.



AG-362P Petite Head Removable Manifold Gun



Shown above
AG362PU-90HV-07L



AG-362P 'Petite' small head version

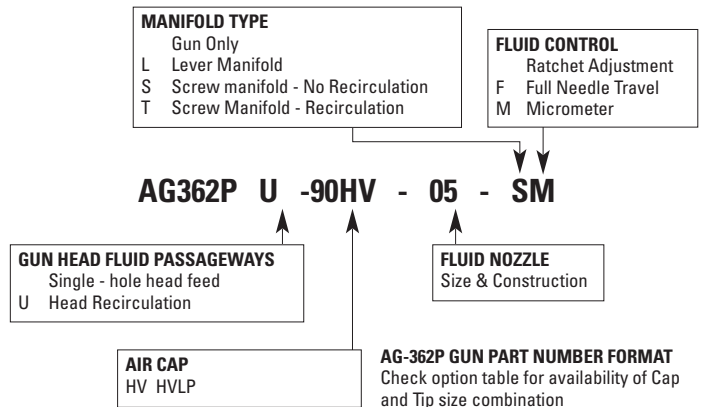
A modified manifold mounted gun designed for the precision application of coatings onto cosmetics packaging and glassware. The gun utilises 'Petite' precision air caps and fluid nozzles specifically designed for this style of application. For extra-fine fluid control the gun is fitted with a Micrometer vernier needle control knob assembly that allows ultra-fine precision fluid setting.

'Petite' front end with exceptional atomisation and application capabilities.



Evolve...

Precision Micrometer needle adjustment can be fitted as standard on all AG-361 and AG-362 guns. It is also available as an accessory.



Air Cap and Fluid Nozzle Options

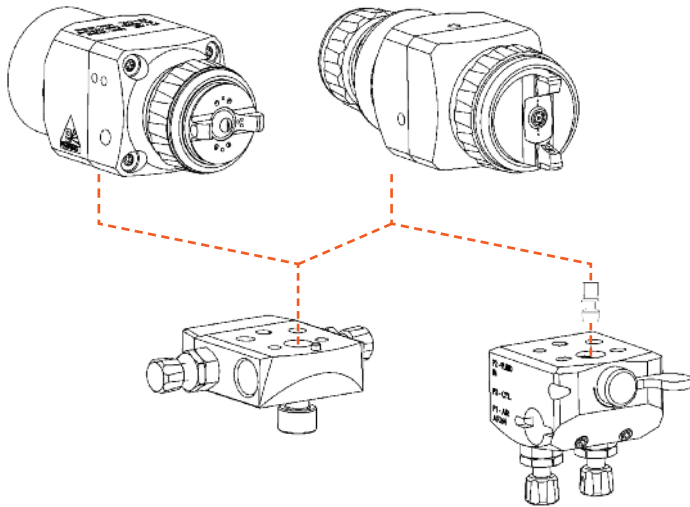
AG-362P Air Cap	Atomisation Type	H 0.5mm	G 0.7mm	FHV 1.0mm
90HV	HVLP	S	S	S

These Air Caps match with CV-30-X Fluid Nozzle where X=orifice size code letter

S= High Grade stainless steel Tips and Needles available in this type & size

Optional FFKM Manifold interface seals for compatibility with aggressive solvents eg Acetone & MEK, typically used in the glass and cosmetics industry.





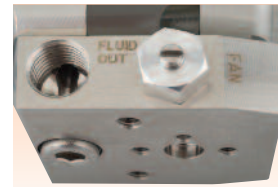
AG-362 Manifold options and features

Two manifold options exist for the **AG-362** variant guns – a Lever operated version and a Low profile Screw version.

The lever operated version gives the ability to remove the gun in the minimum time and utilises a 12.7mm dia mounting hole.

The Screw version provides a lower profile for restricted machine mounting spaces, and greater mounting versatility.

However the low profile screw version also has the ability and pressure rating to directly mount the **AG-363** Air Assisted Airless Automatic gun. For high production rotatory and reciprocating machine users this feature allows increased flexibility and space saving to mount different guns for different coating types.

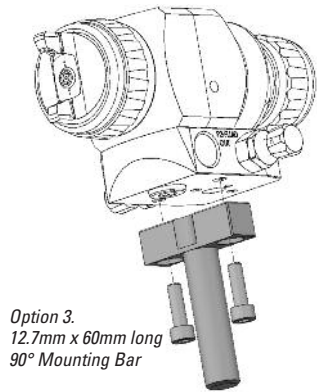


AG-362 Low Profile Screw manifold Mounting Options

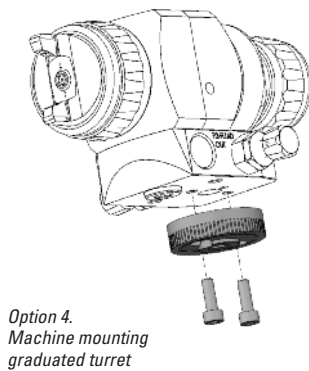
Designed for multiple mounting options, this Manifold can be supplied with four different mounting fixtures (shown below). These fixtures are attached to the manifold surface using 2 x M5 and 2 x M4 threaded holes (exact locations available on request) which, in turn, may be used by the customer to attach the gun in any orientation and location required by the customer.

AG-362 Manifold Fluid Feed Options

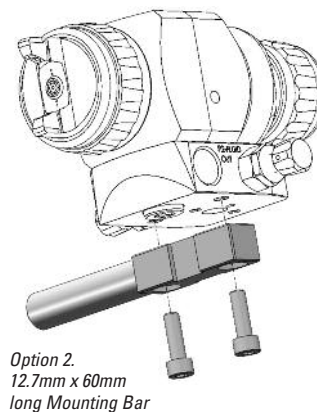
Depending upon which manifold the gun is mounted on (Lever or Screw) fluid feed to the gun head can be by several different ways.



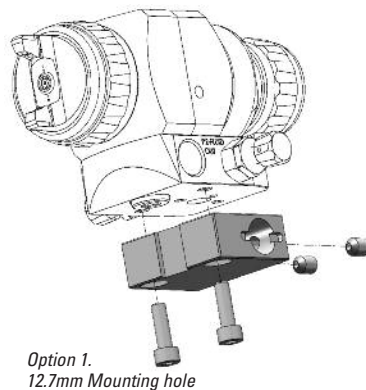
Option 3.
12.7mm x 60mm long
90° Mounting Bar



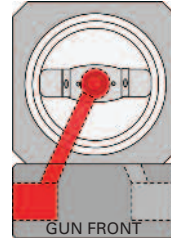
Option 4.
Machine mounting
graduated turret



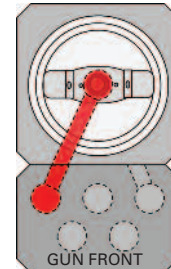
Option 2.
12.7mm x 60mm
long Mounting Bar



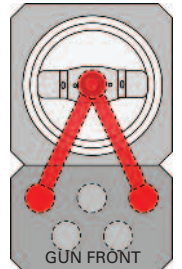
Option 1.
12.7mm Mounting hole



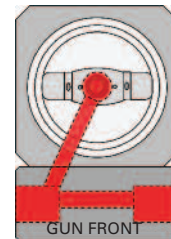
Option 4.
Screw Manifold, AG-362 Fluid Inlet Left. Buy non-recirculating Base version ready for this format from DeVilbiss.



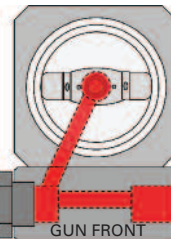
Option 5.
Lever Manifold, AG-362. Single fluid input from left. Buy non-recirculating gun head version from DeVilbiss.



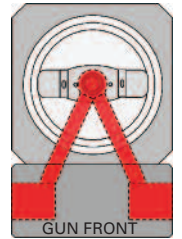
Option 6.
Lever Manifold, AG-362. Head Recirculation. Buy Recirculating gun head version of gun from DeVilbiss.



Option 1.
Screw Manifold, AG-362 Base Recirculation. Fluid Entry from Left or Right. Buy recirculating Base version ready for this format from DeVilbiss.



Option 2.
Screw Manifold, AG-362 Fluid Inlet Right. Buy recirculating Base version ready for this format from DeVilbiss and plug unwanted fluid inlet with SPA-94.



Option 3.
Screw Manifold, AG-362 Head Recirculation. Buy Recirculating gun head version from DeVilbiss.

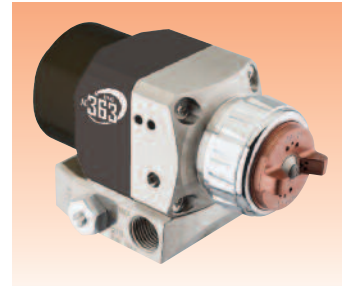


Spray Gun Specifications

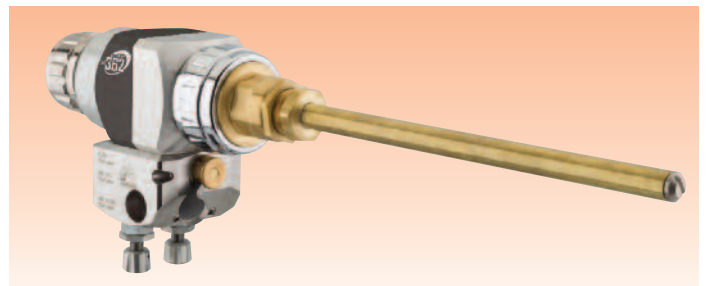
Gun Dimensions & Weights	
AG-361 Size (L x H x W) mm	140 x 67 (inc valves) x 44
AG-361 Weight	668 g (inc air cap)
AG-362 Gun Size (L x H x W) mm	122 x 44 x 44
AG-362 (Gun only) Weight	557 g (inc air cap)
AG-362P Size (L x H x D) mm	145 x 44 x 44
AG-362P (Gun only) Weight	524 g (inc air cap)
Manifold Dimensions & Weights	
Cam Manifold Size (L x W x H) mm	60 x 44 x 53 (inc valves)
Cam Manifold Weight	347 g
Screw Manifold Size (L x W x H) mm	59 x 63 (inc valves) x 20
Screw Manifold Weight	268 g
All Guns	
Max Air Input Pressure (P1)	7 bar
Max Fluid Input Pressure (P2)	7 bar
Max Operating Ambient Temperature	40°C nominal
Gun Head & Fluid Passageways	Stainless Steel
Gun Body Material	QuickClean™ coated Aluminium
Manifold Material	Stainless Steel
Fluid Nozzle & Needle Materials	303 Stainless Steel, Nitride coated Stainless Steel, Tungsten carbide
Seals & O rings	HDPE, FEPM, PTFE, FFKM

Fluid & Air Inlets

AG-361 Industrial & Enamel Guns	
CYL Air inlet connection	1/8" G
Fluid Inlet connection	1/4" G
CAP Air Inlet connection	1/4" G
AG-362L Lever Manifold	
CYL Air inlet connection	1/8" G
Fluid Inlet connection	1/8" G
Fluid Outlet connection	1/8" G
ATOM Air inlet connection	1/8" G
FAN Air inlet connection	1/8" G
AG-362S Screw Manifold	
CYL Air inlet connection	1/8" G
Fluid Inlet connection	1/4" NPS
Fluid Outlet connection	1/4" NPS
CAP Air inlet (ATOM+FAN)	1/4" G



Completing the range – the AG-363 Air Assisted Airless Automatic spray gun. Invaluable for high speed, high efficiency spraying.



Full range of spray gun extensions available for AG-360 series of guns.

360 Series Air Cap Chart

Air Cap and Type	Air Consumption	Air Inlet Pressure Recommended	*Typical Fluid Flow	*Typical Fan Pattern Size
C1 Conventional	300 L/min (10.7 cfm)	3 Bar (45 psi)	150-250 ml/min	270 mm @ 200mm distance
C2 Conventional	290 L/min (10.3 cfm)	3 Bar (45 psi)	100-350 ml/min	250 mm @ 200mm distance
C3 Conventional	440 L/min (15.7 cfm)	3 Bar (45 psi)	250-600 ml/min	360 mm @ 200mm distance
TE10 Trans-Tech/High Efficiency	255 L/min (9.1 cfm)	2 Bar (30 psi)	150-200 ml/min	300 mm @ 200mm distance
TE20 Trans-Tech/High Efficiency	325 L/min (11.6 cfm)	2 Bar (30 psi)	150-200 ml/min	290 mm @ 200mm distance
TE30 Trans-Tech/High Efficiency	375 L/min (13.3 cfm)	2 Bar (30 psi)	200-300 ml/min	300 mm @ 200mm distance
TE40 Trans-Tech/High Efficiency	355 L/min (12.6 cfm)	2 Bar (30 psi)	250-400 ml/min	380 mm @ 200mm distance
TE50 Trans-Tech/High Efficiency	425 L/min (15.1 cfm)	2 Bar (30 psi)	250-400 ml/min	300 mm @ 200mm distance
HV30 HVLP	450 L/min (16.0 cfm)	1.75 Bar (26 psi)	160-200 ml/min	315 mm @ 200mm distance
C62 Conventional	431 L/min (15.4 cfm)	3 Bar (45 psi)	< 3.5 L/min	390 mm @ 300mm distance
C64 Conventional	400 L/min (14.3 cfm)	3 Bar (45 psi)	< 2.5 L/min	340 mm @ 300mm distance
C67 Conventional	426 L/min (15.2 cfm)	3 Bar (45 psi)	< 2.0 L/min	430 mm @ 300mm distance

Note: HV30 (HVLP) operates at 0.7 bar (10 psi) at the cap. All illustrated flow rates may vary according to paint/material and pressures used.

For Further technical information refer to the DeVilbiss AG-361 and AG-362 Service Bulletins

Sales and Service through our Global Network of Industrial Distributors

EQUIPOS INTERNACIONALES LTDA.

www.equinter.co

Av. Carrera 50 N° 4C - 34, Bogotá, Colombia.
 PBX: 601 744 2739 Móvil: 312 438 9725
ventas@equinter.co

DeVILBISS[®]
www.finishingbrands.eu

email: marketing@finishingbrands.eu

